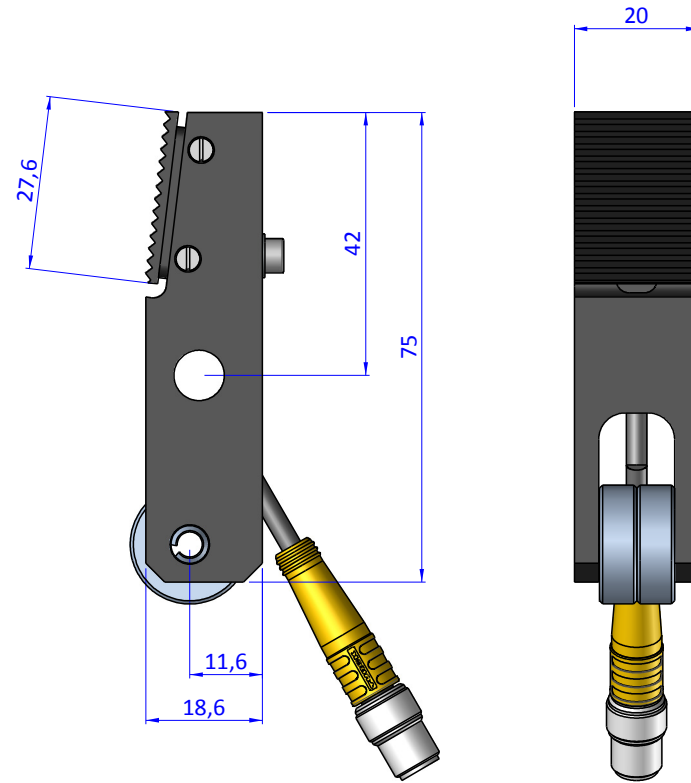
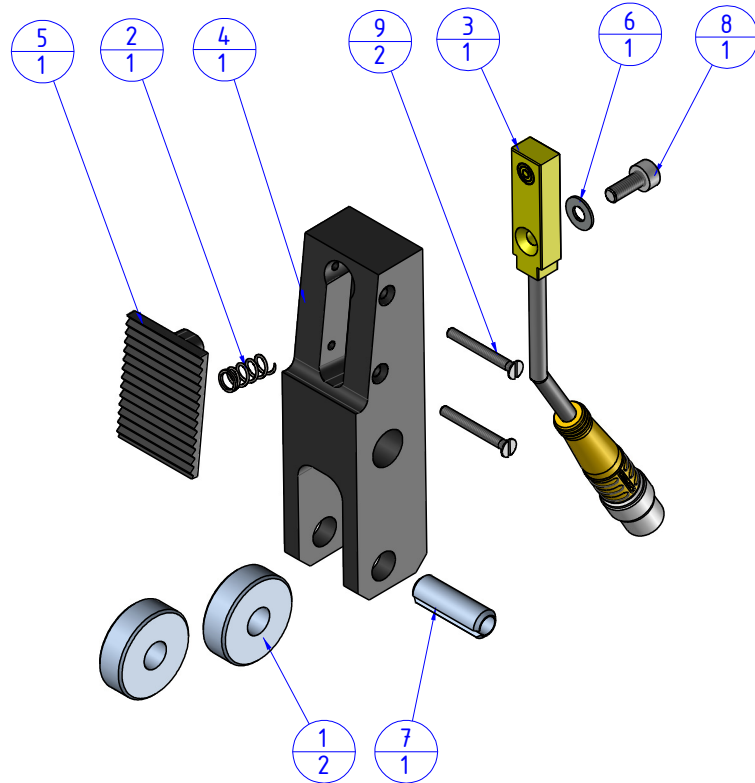



THE PROPERTY OF THE DRAWING IS ESTABLISHED BY LAW. IT IS FORBIDDEN TO PRODUCE OR SHOW IT TO THIRD PARTY, WITHOUT A WRITTEN AGREEMENT.

Item	Name	Q.ty
1	CUS.626Z	2
2	DIM.11010	1
3	GRZ.20.SC.PNP	1
4	GZ.3225.02.S	1
5	GZ.3225.02.S1	1
6	R.3	1
7	SPE.6X18	1
8	V.TCE3x8	1
9	V.TSP2X18	2



Format A3

UNI 936-76

 <b>FPS</b> FPSERVICES AUTOMATION		DESIGNED FROM		REVIEW
		FPS Automation		A
GENERAL TOLERANCE		DATE	WEIGHT	
UNI - ISO 2768		31/05/2019	0,070kg	
CLASSE f		CODE		
		CA.GZ.32		CA.GZ.32.FING.S